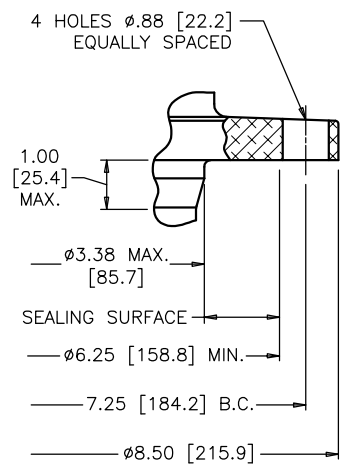
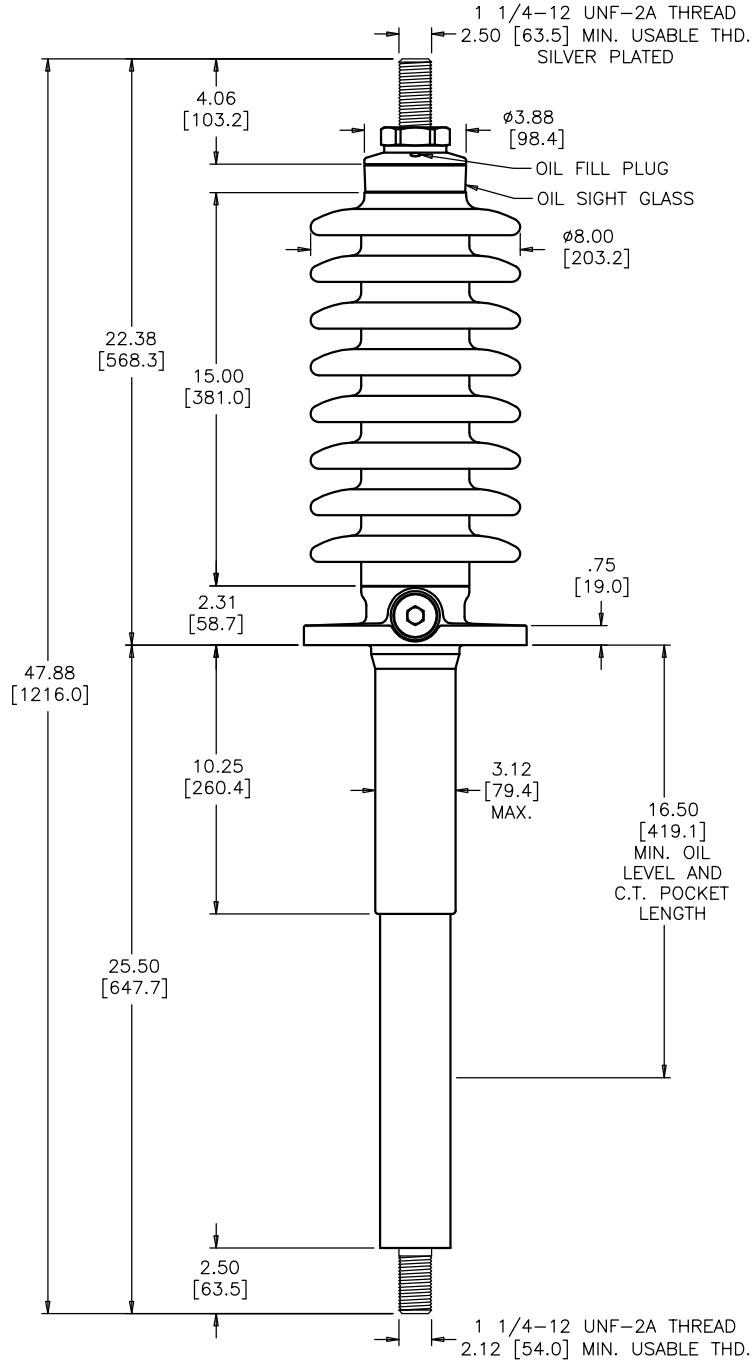




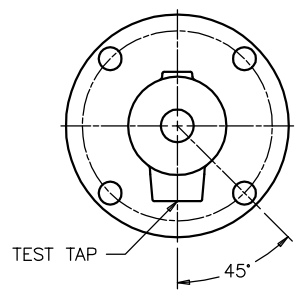
KV CLASS 34.5 kV	BIL 200 kV	Uy 22 kV
CURRENT RATING		
1200A BOTTOM CONNECTION IN 55°C RISE OIL		
MIN. CREEP 41.00 [1041.4]	MIN. STRIKE 17.00 [431.8]	
CREEP/Uy 1.86 [47.3]	STD. IEEE C57.19.00	
PCB CONTENT OF OIL IS LESS THAN 1 ppm		

DWG.	CATALOG NUMBER	GLAZE COLOR
SD	B-89311-72	BROWN
SD	B-89311-72-70	LT. GRAY
TITLE IEEE STANDARD BUSHING		
PRC BUSHING		
1 1/4-12 TOP & BOTTOM THREAD		
4.00 [101.6] SHORTER BELOW FLANGE		

DATE 8-5-94	REV. DATE 6-8-06
MAXIMUM ALTITUDE 10000 ft [3000 m]	
NET WEIGHT 74 lb [34 kg]	
ANGLE OF INCLINATION FROM THE VERTICAL 0° TO 70°	



MOUNTING FLANGE DETAIL



FLANGE ALIGNMENT DIAGRAM TOP VIEW

DIMENSIONS IN INCHES [MILLIMETERS]